



For The ON-THE-GO Pet™

INSTRUCTION MANUAL 3-IN-1 BIKE BASKET

PG1400

Car Seat/Carrier/Bike Basket



To see our full line of products, visit us online at: www.petgearinc.com

CUSTOMER SERVICE HELP DESK

customerservice@petgearinc.com

Toll-Free 877-752-9123 - Eastern Standard Time 8am-3pm, Monday through Friday

PARTS LIST

Check that you have all the parts shown BEFORE assembling your product.
If any parts are missing, call Customer Service.



3-in-1 Bike Basket



Carrying Strap



Comfort Pad



Universal Bike Attachment

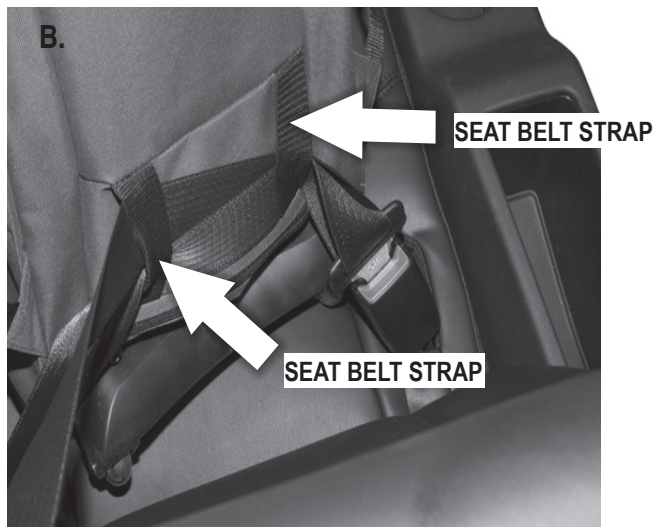
TO ATTACH CARRYING STRAP

Step 1. To attach carrying strap, clip each end of the carrying strap to the two metal rings (located on each side of The 3-in-1 Bike Basket, shown in Figure A).



TO USE AS CAR SEAT AND/OR BOOSTER

Step 2. To use the 3-in-1 Bike Basket as a car seat, take seat belt and place it through the seat belt straps and buckle seat belt to secure (shown in Figure B).

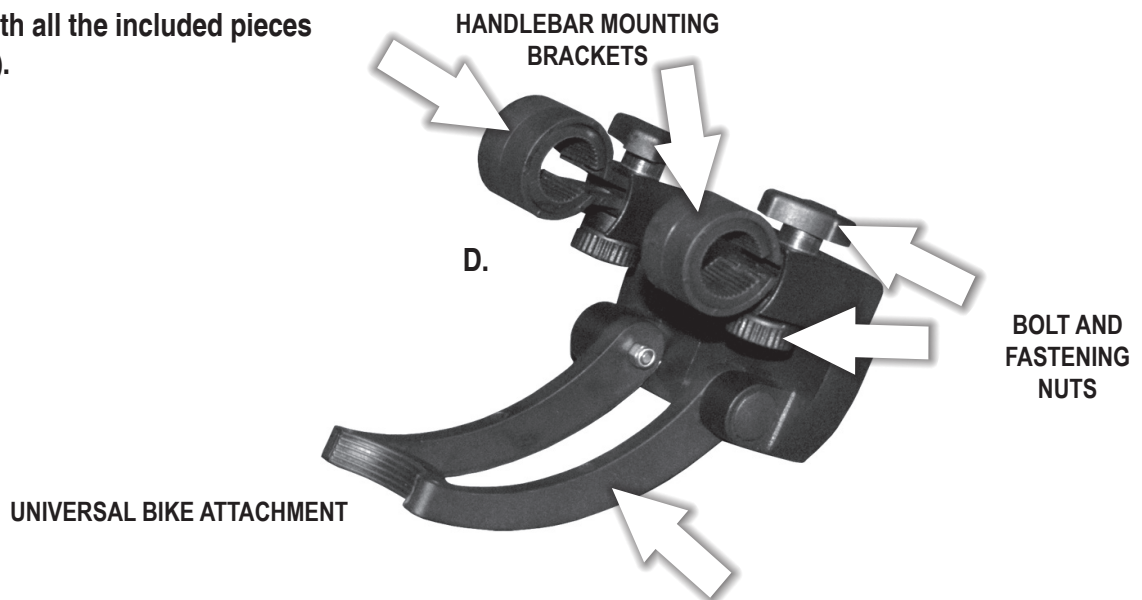


Step 3. To use the 3-in-1 Bike Basket as a booster, do step number 2, then attach carrying strap around headrest and adjust to a secure position (shown in Figure C).



TO USE BIKE ATTACHMENT

Step 4. To use the 3-in-1 Bike Basket as a bike basket, you need a bike and the Universal Bike Attachment with all the included pieces (shown in Figure D).



TO USE BIKE ATTACHMENT

Step 5. To attach the Universal Bike Attachment to a bike, first unscrew the bolts and nuts so that both handlebar mounting brackets are disconnected from the bike attachment (shown in Figure E).

HANDLEBAR MOUNTING BRACKETS (2)



UNIVERSAL BIKE ATTACHMENT

E.



BOLT AND FASTENING NUTS (2)

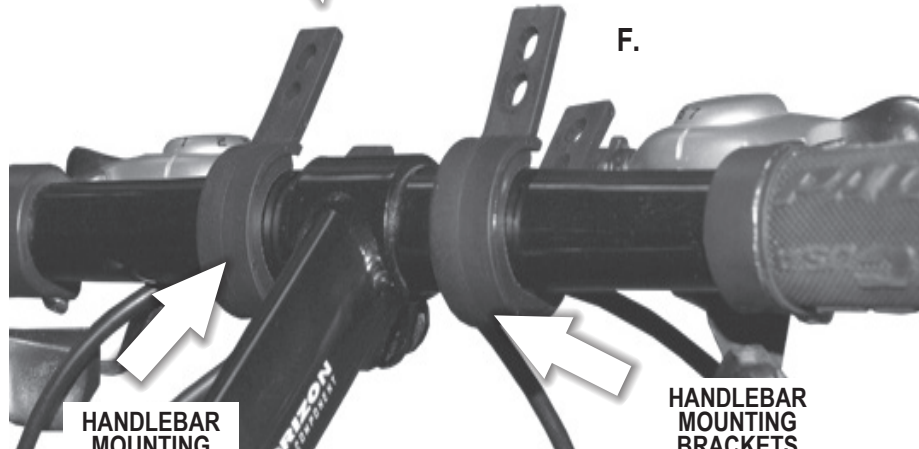


Step 6. Put the mounting brackets on the handlebar of your bike so that extension part A and B are facing forward (shown in Figure F).

EXTENSION A

EXTENSION B

F.



Step 7. Next, you have to connect the bike attachment to the mounting brackets.

Take bike attachment and slide extension A of both handlebar mounting brackets into the top slots while sliding extension B underneath the second slots of the bike attachment.

Once extensions are in place, put bolts through the extensions and tighten with both fastening nuts.

Make sure attachment is straight and even. This should look like Figure G.

HANDLEBAR MOUNTING BRACKETS

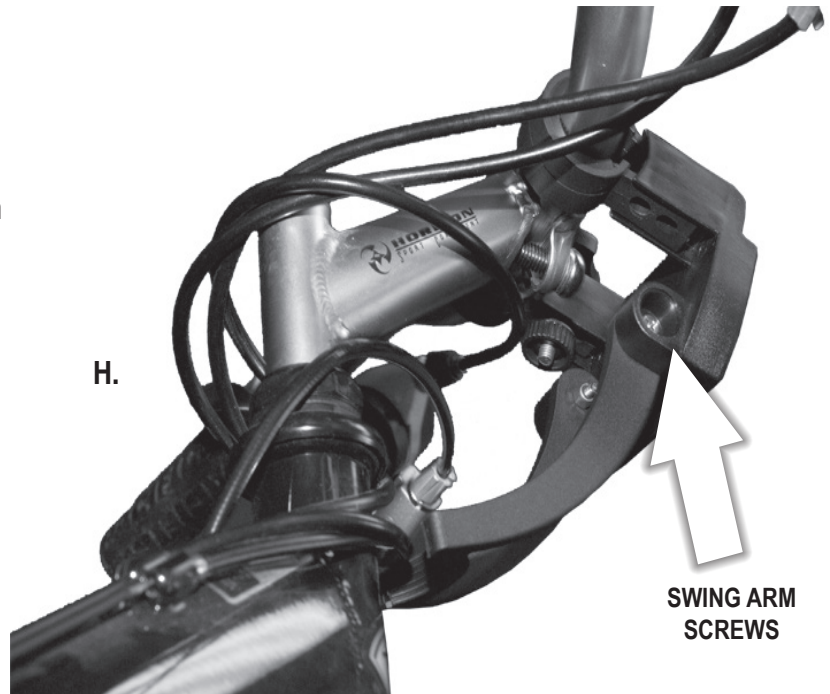
G.



HANDLEBAR MOUNTING BRACKETS

TO USE BIKE ATTACHMENT

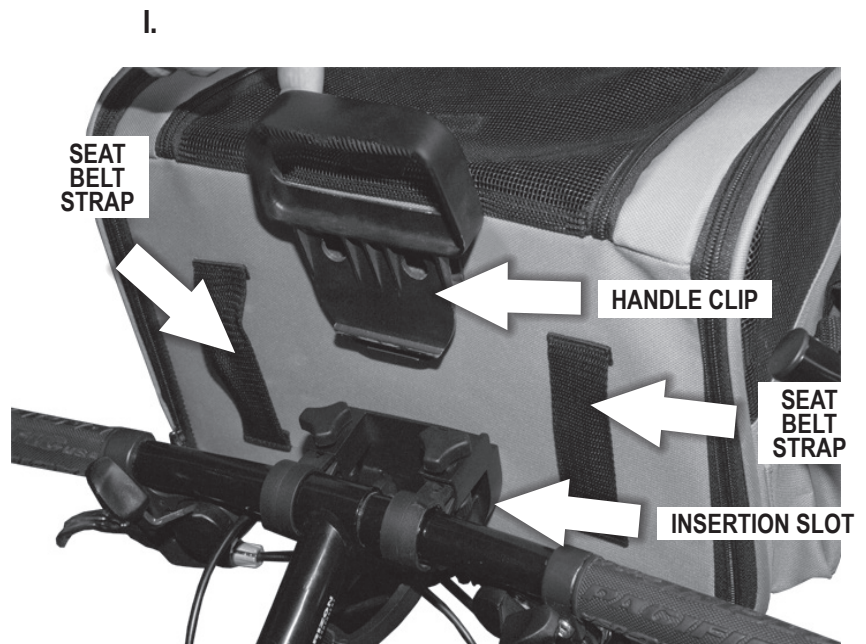
Step 8. You may need to tighten swing arm screws with a Phillips™ screwdriver to fit swing arm to your handlebar stem/steering column so that it is tight and stable (shown in Figure H). After you tighten the 2 swing arm screws, take the 2 plastic caps/plugs (found in the instruction booklet packaging) and push them into place over the 2 swing arm screws.



Step 9. Once the universal bike attachment is connected and fully secured to the bike, the bike basket is now ready to be attached.

Put bike basket in the front of the bike so the handle clip is above the insertion slot.

Once handle clip and insertion slot are aligned, push the handle clip down into the insertion slot (shown in Figure I).



TO USE BIKE ATTACHMENT

Step 10. Connect carrying strap to one of the side metal rings (located on each side of The 3-in-1 Bike Basket). Then, put the strap through one side of the seat belt straps. Next, bring strap around handlebar stem and put through other seat belt strap. Attach strap to other metal ring on other side. Tighten strap so there is as little slack as possible (shown in Figure J).



WARNING!

FOR PETS ONLY.

Not intended to be used as a restraining device for aggressive or dangerous animals that dig, chew or paw aggressively. Do not leave your pet unattended. **PET GEAR** is not liable for any damage caused by aggressive, destructive, immature or untrained animals. Do not use near an open or exposed flame. Failure to follow these warnings and the instructions could result in serious injury or death.

REPLACEMENT PARTS

Use only **PET GEAR** replacement parts.

Please have your model number ready before calling.

You can also request parts: <http://www.petgearinc.com/main.asp?sel=2>



192 Sheldon Avenue • West Rutland, VT 05777 • 877-752-9123 • www.petgearinc.com